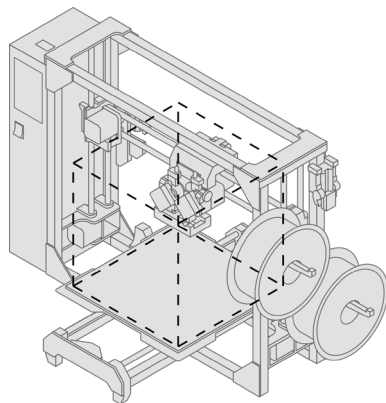




# Specifications

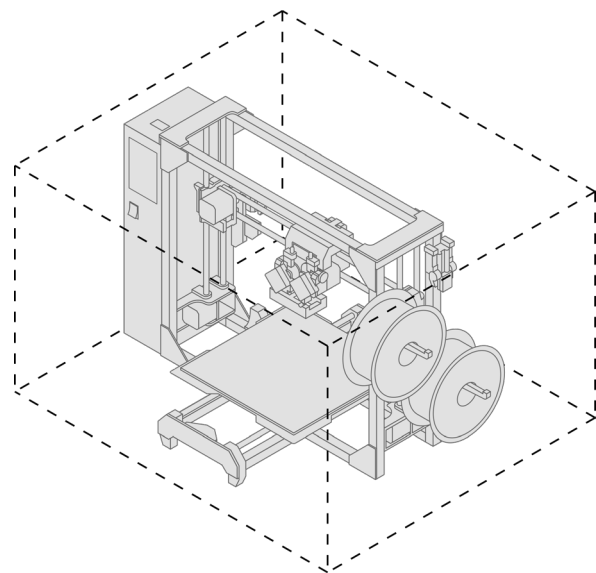
## Printing

|                                      |  |
|--------------------------------------|--|
| Print Technology                     | Fused Filament Fabrication                                 |
| Print Area                           | 280 mm x 280 mm x 285 mm (11.02 in x 11.02 in x 11.22 in)  |
| Print Volume                         | 22,344 cm <sup>3</sup> (1,362.5 in <sup>3</sup> )          |
| Recommended Operating Temperature    | From 5°C to 45°C (41°F to 113°F)                           |
| Dimensions with Reel                 | 83.2 cm x 51 cm x 52 cm (32.75 in x 20.08 in x 20.47 in)   |
| Operating Footprint                  | 83.2 cm x 66.2 cm (32.75 in x 26.06 in)                    |
| Operating Sound Level                | 37-50 dB during normal operation (52dB max)                |
| Print Surface Leveling               | Automatic Compensation                                     |
| Connectivity                         | USB Serial and USB Flash Drive                             |
| Extruder/Hot End                     | Dual Vertically Actuated E3D Titan Aero Extruders          |
| Nozzle Diameter                      | 0.5 mm   |
| Filament Diameter                    | 2.85 mm  |
| Maximum Extrusion Rate               | 13.82 mm <sup>3</sup> /s                                   |
| Nozzle Material                      | Hardened Steel   |
| Nozzle Temperature                   | Up to 290°C (554°F)  |
| Nozzle Heat Up Time                  | From 18°C to 230°C (64°F to 446°F) in 1 minute, 36 seconds |
| Print Surface                        | Heated Borosilicate Glass with PEI Surface                 |
| Maximum Print Surface Temperature    | Up to 120°C (248°F)  |
| Print Surface Heat Up Time           | From 18°C to 100°C (64°F to 212°F) in 10 min 48 sec        |
| Layer Resolution                     | 0.05 mm - 0.4 mm (0.002 in - 0.016 in)                     |
| Minimum Positive Feature Size        | 0.5 mm (0.02 in)   |
| Calculated XYZ Positional Resolution | 10, 10, <1 micron  |



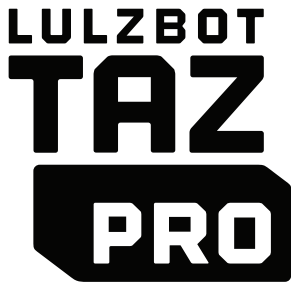
### Print Area

280 mm x 280 mm x 285 mm  
(11.02 in x 11.02 in x 11.22 in)



### Operating Footprint

83.2 cm x 66.2 cm  
(32.76 in x 26.06 in)



# Specifications (Continued)

## Universal Tool Head System

In addition to the stock TAZ Pro Dual Tool Head, the TAZ Pro is compatible with the next generation of modular tool heads from LulzBot. This system allows for easy tool head swapping and a variety of nozzle sizes to fit every project. LulzBot also honors your freedom to use 2.85 mm or 1.75 mm filament depending on your printing needs.

### **SE Tool Head | 2.85 mm | Single Extruder | 0.5 mm**

Go from printing ABS and PLA to TPU with ease.

### **SL Tool Head | 2.85 mm | Small Layer | 0.25 mm**

Print most materials with incredible detail and resolution.

### **HE Tool Head | 2.85 mm | Hardened Steel | 0.5 mm**

Hardened Steel nozzle and hobbed gear is ready for all materials from ABS to carbon-filled filament.

### **HS Tool Head | 2.85 mm | Hardened Steel | 0.8 mm**

Make high-strength, end-use parts with composite materials such as carbon-filled filament.

### **HS+ Tool Head | 2.85 mm | Hardened Steel | 1.20 mm**

Design, print and iterate large prototypes at incredible speed with this high-output tool head.

### **M175 Tool Head | 1.75 mm | Single Extruder | 0.5 mm**

Open up the world of 1.75 mm filament to your LulzBot 3D Printer.

Learn more about tool head upgrades at <https://www.lulzbot.com/store/tool-heads>

## Materials

Open filament system capability

PLA, ABS, Nylon 645, Polycarbonate, Carbon Fiber Reinforced Blends, TPU 85A & 95A (Flexible), PETg, PETT, Copolyester, PVB (Polycast), HIPS, and many more 3rd party filaments.

## Software

Operating System Capability

GNU/Linux, Mac, Windows

Recommended Software

Cura LulzBot Edition, Version 3.2 or newer

Firmware

Marlin

Supported File Types

.stl, .obj, .g, .gcode, .x3d, .3mf, .png, .jpg

## Electrical

Power Requirements

100VAC - 240VAC

Output

24 volt DC, 500 watts, 21 amps

Power Supply

Auto-switching MEAN WELL RSP-500-24

## Safety and Compliance

Certifications

FCC, CE, WEEE, CSA, RCM, OSHWA

Warranty

Includes one-year warranty and access to technical support five days a week.

Optional one, two, or three-year extended warranties available.

Country of Origin

Made in USA from domestic and imported components.

**LulzBot.com | [sales@LulzBot.com](mailto:sales@LulzBot.com) | +1-970-377-1111**

LulzBot is a registered trademark of FAME 3D, LLC.